

CS062

DATA STRUCTURES AND ADVANCED PROGRAMMING

10-11: Doubly Linked Lists



Alexandra Papoutsaki
LECTURES



Mark Kampe
LABS

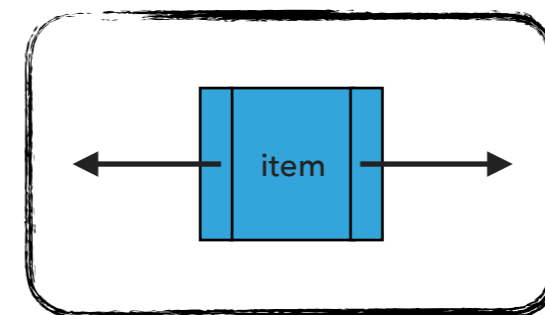
Lecture 10: Doubly Linked Lists

- ▶ Doubly Linked Lists
- ▶ Java Collections

Recursive Definition of Doubly Linked Lists

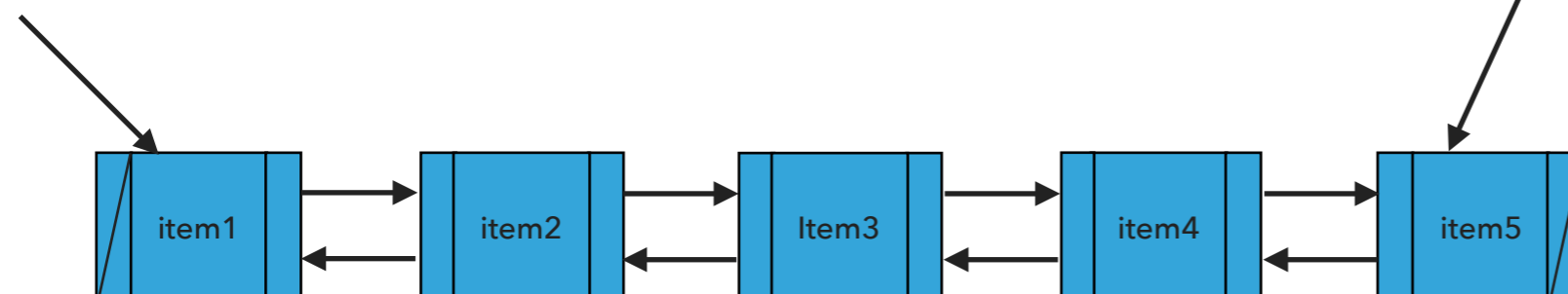
- ▶ A doubly linked list is either empty (null) or a **node** having a reference to a doubly linked list.
- ▶ **Node**: is a data type that holds any kind of data and two references to the previous and next node.

Node



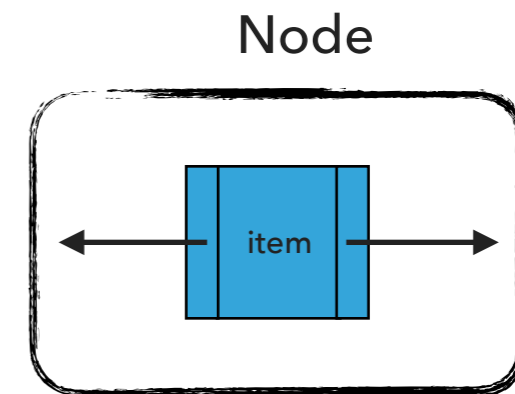
Head/Beginning/Front/First

Tail/End/Back/Last



Node

```
private class Node {  
    Item item;  
    Node next;  
    Node prev;  
}
```



Standard Operations

- ▶ `DoublyLinkedList()`: Constructs an empty doubly linked list.
- ▶ `isEmpty()`: Returns true if the doubly linked list does not contain any item.
- ▶ `size()`: Returns the number of items in the doubly linked list.
- ▶ `get(int index)`: Returns the item at the specified index.
- ▶ `addFirst(Item item)`: Inserts the specified item at the head of the doubly linked list.
- ▶ `addLast(Item item)`: Inserts the specified item at the tail of the doubly linked list.
- ▶ `add(int index, Item item)`: Inserts the specified item at the specified index.
- ▶ `Item removeFirst()`: Retrieves and removes the head of the doubly linked list.
- ▶ `Item removeLast()`: Retrieves and removes the tail of the doubly linked list.
- ▶ `Item remove(int index)`: Retrieves and removes the item at the specified index.

`DoublyLinkedList()`: Constructs an empty DLL

```
DoublyLinkedList<String> dll = new DoublyLinkedList<String>();
```

```
head = null
```

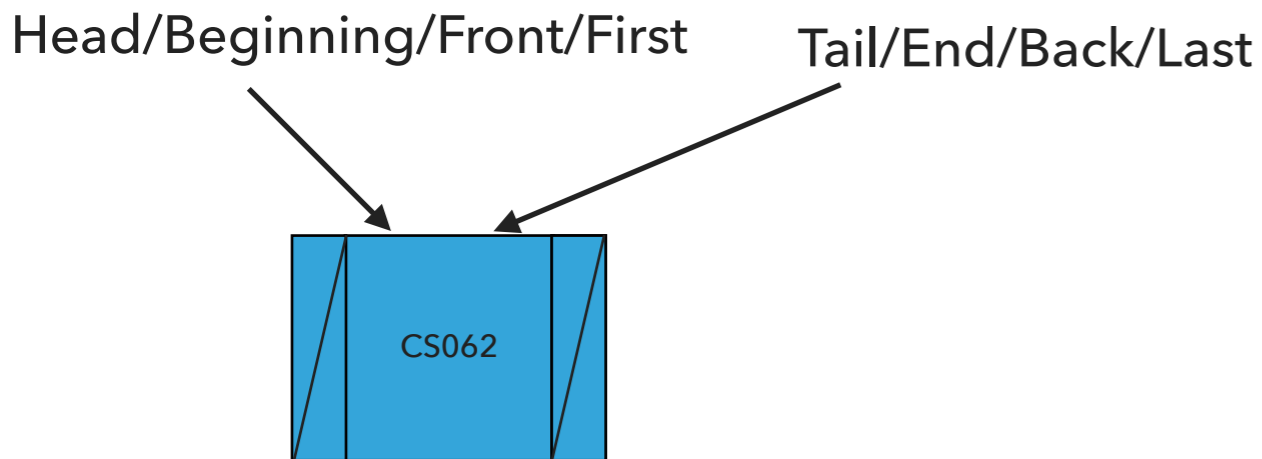
```
tail = null
```

```
n = 0
```

What should happen?

```
dll.addFirst("CS062");
```

`addFirst(Item item)`: Inserts the specified item at the head of the doubly linked list



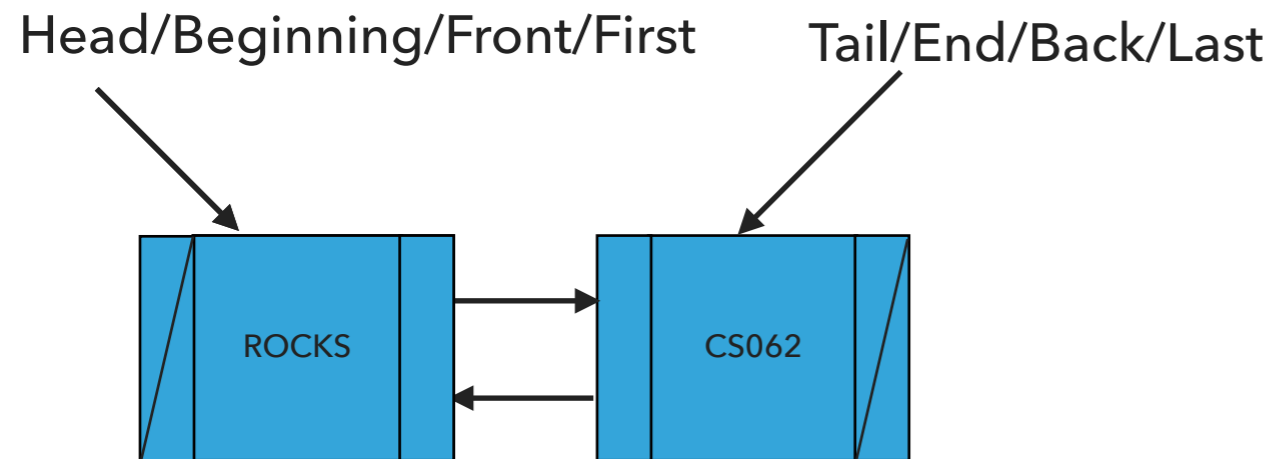
```
dll.addFirst("CS062")
```

```
n=1
```

What should happen?

```
dll.addFirst("ROCKS");
```

`addFirst(Item item)`: Inserts the specified item at the head of the doubly linked list



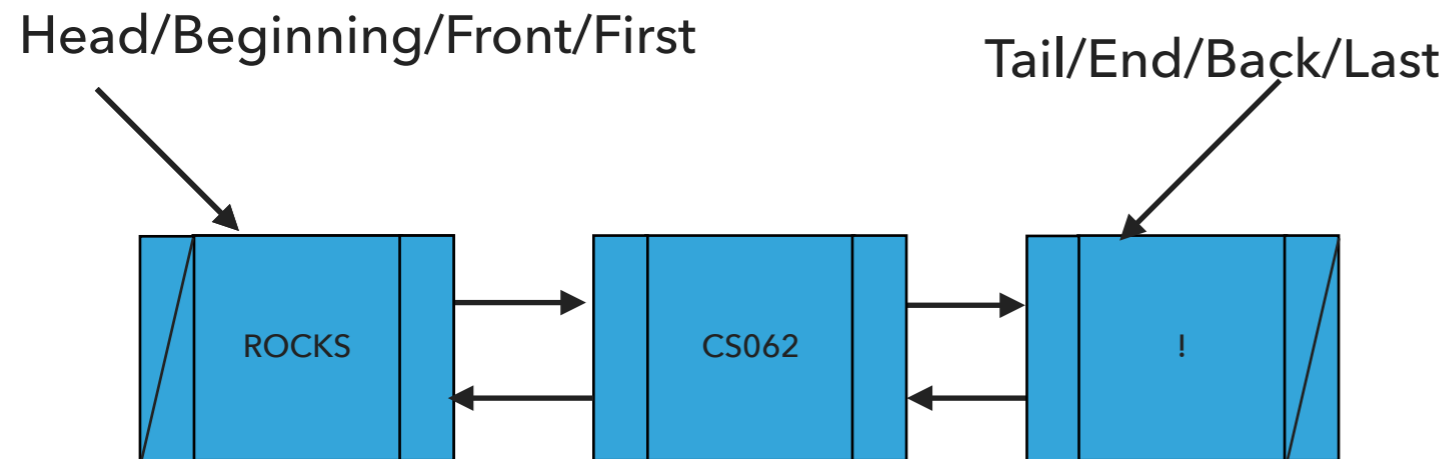
```
dll.addFirst("ROCKS")
```

`n=2`

What should happen?

```
dll.addLast("!");
```


`addLast(Item item)`: Inserts the specified item at the tail of the doubly linked list



```
dll.addLast("!")
```

`n=3`

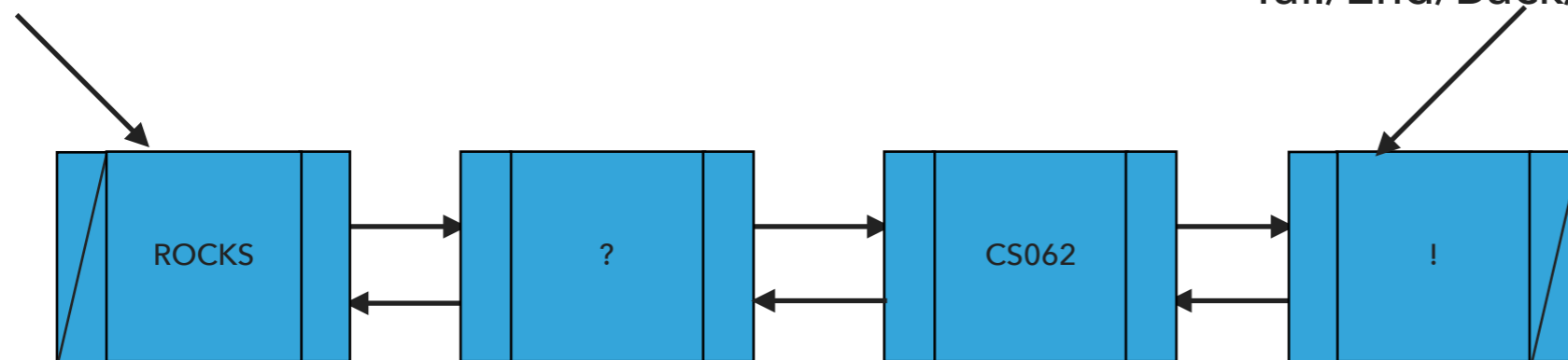
What should happen?

```
dll.add(1, "?");
```

`add(int index, Item item)`: Adds item at the specified index

Head/Beginning/Front/First

Tail/End/Back/Last



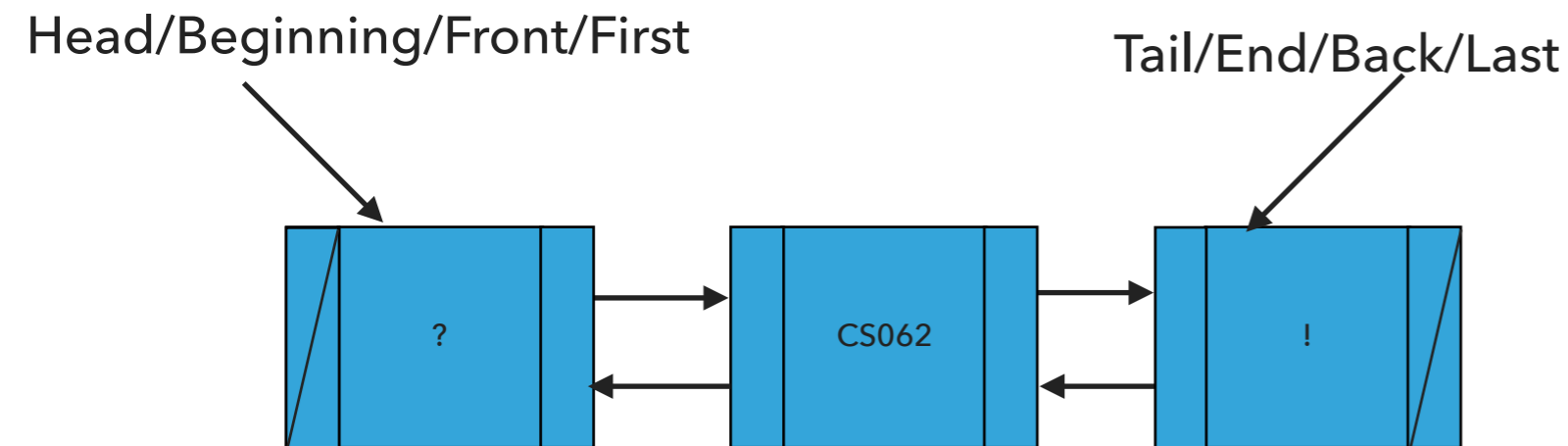
```
dll.add(1, "?")
```

`n=4`

What should happen?

```
dll.removeFirst();
```

`removeFirst()`: Retrieves and removes the head of the doubly linked list



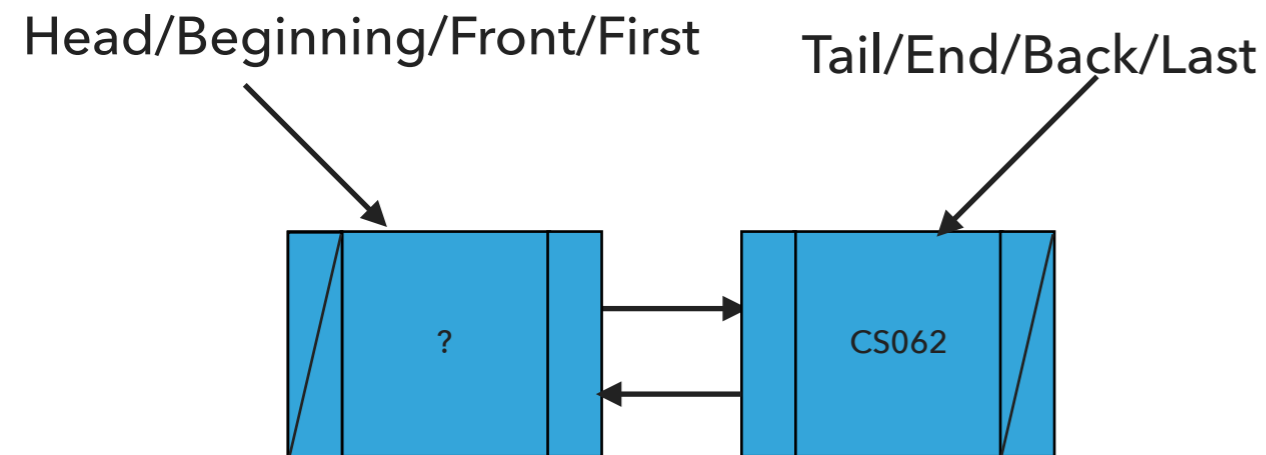
```
dll.removeFirst()
```

```
n=3
```

What should happen?

```
dll.removeLast();
```

`removeLast()`: Retrieves and removes the tail of the doubly linked list



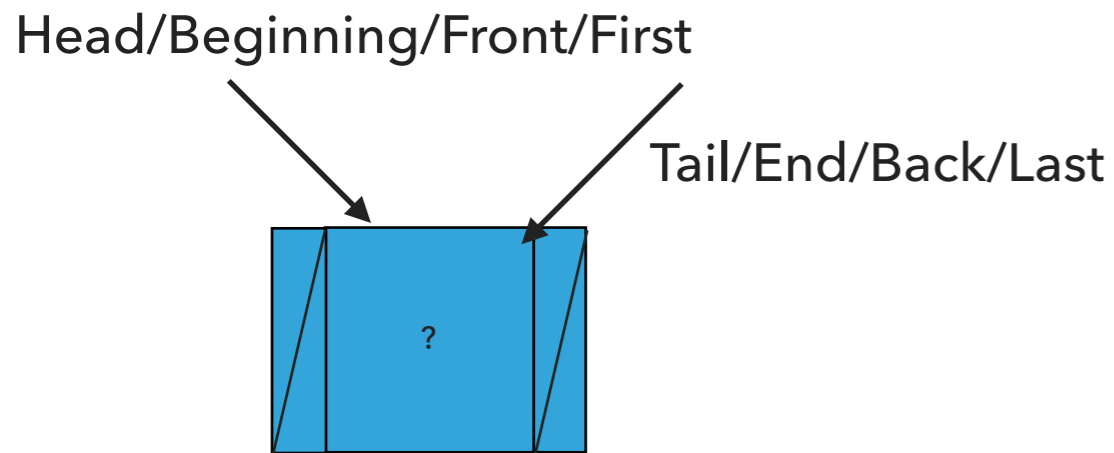
```
dll.removeLast()
```

```
n=2
```

What should happen?

```
dll.remove(1);
```

`remove(int index)`:Retrieves and removes the item at the specified index



```
dll.remove(1)  
n=1
```

Our own implementation of Doubly Linked Lists

- ▶ We will follow the textbook style.
 - ▶ It does not offer a class for this so we will build our own.
- ▶ We will work with generics because we don't want to offer multiple implementations.
- ▶ We will use an inner class Node and we will keep track of how many elements we have in our doubly linked list.

Instance variables and inner class

```
public class DoublyLinkedList<Item> implements Iterable<Item> {
    private Node first; // head of the doubly linked list
    private Node last; // tail of the doubly linked list
    private int n; // number of nodes in the doubly linked list

    /**
     * This nested class defines the nodes in the doubly linked list with a value
     * and pointers to the previous and next node they are connected.
     */
    private class Node {
        Item item;
        Node next;
        Node prev;
    }
}
```

Check if is empty and how many items

```
/**
 * Returns true if the doubly linked list does not contain any item.
 *
 * @return true if the doubly linked list does not contain any item
 */
public boolean isEmpty() {
    return size() == 0;
}

/**
 * Returns the number of items in the doubly linked list.
 *
 * @return the number of items in the doubly linked list
 */
public int size() {
    return n;
}
```


Retrieve item from specified index

```
/**
 * Returns item at the specified index.
 *
 * @param index
 *         the index of the item to be returned
 * @return the item at specified index
 */
public Item get(int index) {
    rangeCheck(index);

    if (index == 0)
        return first.item;

    else if (index == size() - 1)
        return last.item;

    Node finger = first;
    // search for index-th element or end of list
    while (index > 0) {
        finger = finger.next;
        index--;
    }
    return finger.item;
}
```

Insert item at head of doubly linked list

```
/**
 * Inserts the specified item at the head of the doubly linked list.
 *
 * @param item
 *         the item to be inserted
 */
public void addFirst(Item item) {
    // Save the old node
    Node oldfirst = first;

    // Make a new node and assign it to head. Fix pointers.
    first = new Node();
    first.item = item;
    first.next = oldfirst;
    first.prev = null;

    // if first node to be added, adjust tail to it.
    if (last == null)
        last = first;
    else
        oldfirst.prev = first;

    n++; // increase number of nodes in doubly linked list.
}
```

Insert item at tail of doubly linked list

```
/**
 * Inserts the specified item at the tail of the doubly linked list.
 *
 * @param item
 *         the item to be inserted
 */
public void addLast(Item item) {
    // Save the old node
    Node oldlast = last;

    // Make a new node and assign it to tail. Fix pointers.
    last = new Node();
    last.item = item;
    last.next = null;
    last.prev = oldlast;

    // if first node to be added, adjust head to it.
    if (first == null)
        first = last;
    else
        oldlast.next = last;

    n++;
}
```

Check if index is ≥ 0 and $< n$

```
/**
 * A helper method to check if an index is in range  $0 \leq \text{index} < n$ 
 *
 * @param index
 *         the index to check
 */
private void rangeCheck(int index) {
    if (index > n || index < 0)
        throw new IndexOutOfBoundsException("Index " + index + " out of bounds");
}
```

Insert item at a specified index

```
/**
 * Inserts the specified item at the specified index.
 *
 * @param index
 *         the index to insert the item
 * @param item
 *         the item to insert
 */
public void add(int index, Item item) {
    rangeCheck(index);

    if (index == 0) {
        addFirst(item);
    } else if (index == size()) {
        addLast(item);
    } else {

        Node previous = null;
        Node finger = first;
        // search for index-th position
        while (index > 0) {
            previous = finger;
            finger = finger.next;
            index--;
        }
        // create new value to insert in correct position
        Node current = new Node();
        current.item = item;
        current.next = finger;
        current.prev = previous;
        previous.next = current;
        finger.prev = current;

        n++;
    }
}
```

Retrieve and remove head

```
/**
 * Retrieves and removes the head of the doubly linked list.
 *
 * @return the head of the doubly linked list.
 */
public Item removeFirst() {
    Node oldFirst = first;
    // Fix pointers.
    first = first.next;
    // at least 1 nodes left.
    if (first != null) {
        first.prev = null;
    } else {
        last = null; // remove final node.
    }
    oldFirst.next = null;

    n--;

    return oldFirst.item;
}
```

Retrieve and remove tail

```
/**
 * Retrieves and removes the tail of the doubly linked list.
 *
 * @return the tail of the doubly linked list.
 */
public Item removeLast() {

    Node temp = last;
    last = last.prev;

    // if there was only one node in the doubly linked list.
    if (last == null) {
        first = null;
    } else {
        last.next = null;
    }
    n--;
    return temp.item;
}
```

Retrieve and remove element from a specific index

```
/**
 * Retrieves and removes the item at the specified index.
 *
 * @param index
 *         the index of the item to be removed
 * @return the item previously at the specified index
 */
public Item remove(int index) {
    rangeCheck(index);

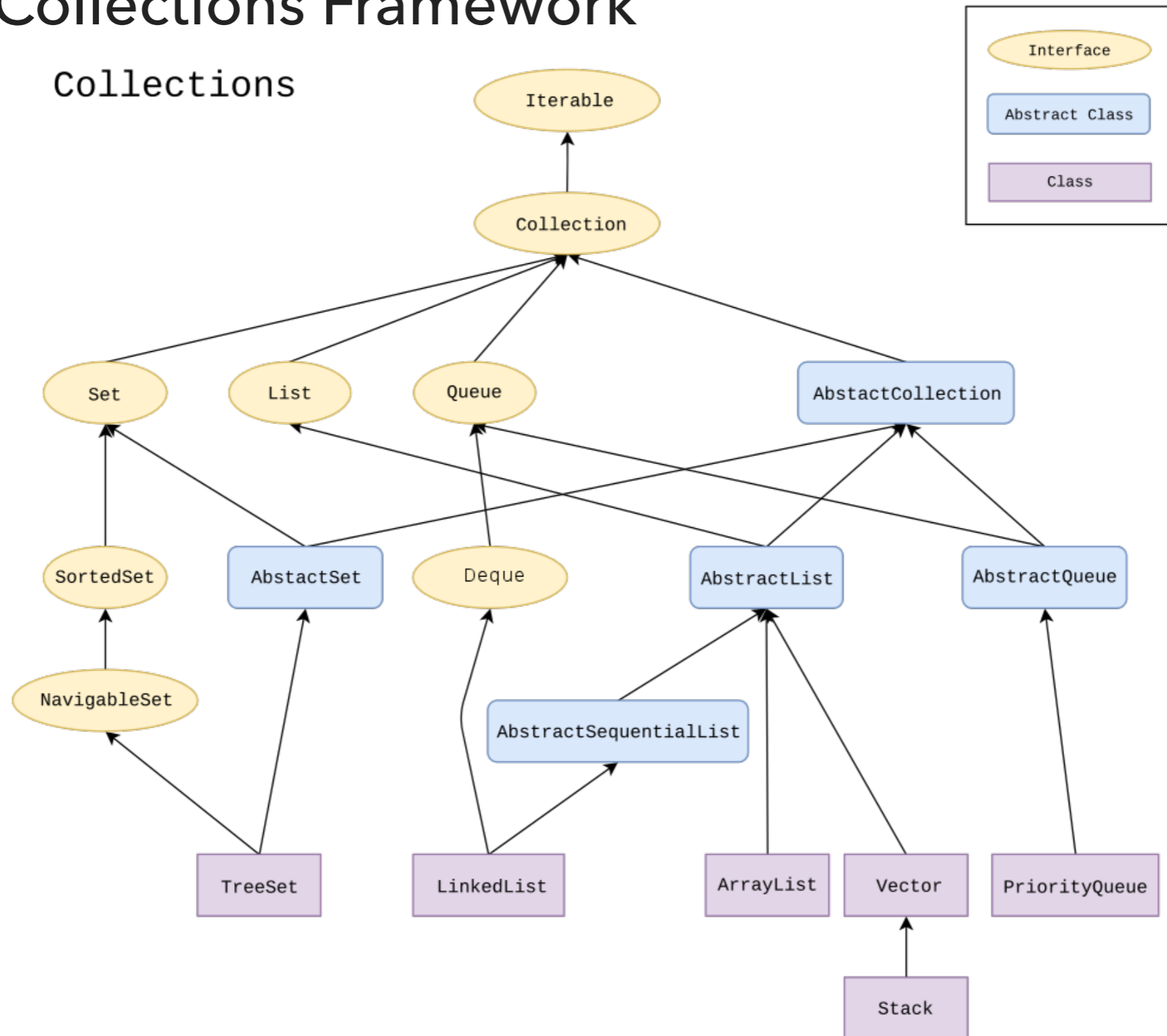
    if (index == 0) {
        return removeFirst();
    } else if (index == size() - 1) {
        return removeLast();
    } else {
        Node previous = null;
        Node finger = first;
        // search for value indexed, keep track of previous
        while (index > 0) {
            previous = finger;
            finger = finger.next;
            index--;
        }
        previous.next = finger.next;
        finger.next.prev = previous;

        n--;
        // finger's value is old value, return it
        return finger.item;
    }
}
```


Lecture 10: Doubly Linked Lists

- ▶ Doubly Linked Lists
- ▶ Java Collections

The Java Collections Framework



LinkedList in Java Collections

- ▶ Doubly linked list implementation of the List and Deque (stay tuned) interfaces.

```
java.util.LinkedList;
```

```
public class LinkedList<E> extends  
AbstractSequentialList<E> implements List<E>, Deque<E>
```

Lecture 10: Doubly Linked Lists

- ▶ Doubly Linked Lists
- ▶ Java Collections

Readings:

- ▶ Oracle's guides:
 - ▶ Collections: <https://docs.oracle.com/javase/tutorial/collections/intro/index.html>
 - ▶ Linked Lists: <https://docs.oracle.com/javase/7/docs/api/java/util/LinkedList.html>
- ▶ Textbook:
 - ▶ Chapter 1.3 (Page 142-146)
- ▶ Textbook Website:
 - ▶ Linked Lists: <https://algs4.cs.princeton.edu/13stacks/>

Practice Problems:

- ▶ 1.3.18-1.3.27 (approach them as doubly linked lists).